



# ADP-30M SERIES

## 30W MEDICAL SWITCHING ADAPTER



### Features

- \* Universal Input: 90-264Vac
- \* Meets EN60601-1 and EN55011 Class B
- \* Continuous Short Circuit Protection
- \* Over Voltage Protection
- \* CEC Level IV Compliant except TR30M050  
Meets CEC Level III  
(Output Cable Length  $\leq$  1800mm)  
(ADP30M050: Output Cable Length  $\leq$  720mm)
- \* Efficiency & Standby Power Meet Level V (Option)  
(Output Cable Length  $\leq$  1800mm)  
(ADP30M050: Output Cable Length  $\leq$  720mm)  
(ADP30M090: Output Cable Length  $\leq$  1220mm)



### Ordering information

ADP30MXXX - XX

Model No. DC Plug Type

E XX

DC Cable Length and Type

- 01: 720mm
- 02: 1220mm
- 03: 1800mm
- 11: 720mm with Ferrite Core
- 12: 1220mm with Ferrite Core
- 13: 1800mm with Ferrite Core
- \* 18AWG / UL1185

MODEL	OUTPUT VOLTAGE	MIN. LOAD	OUTPUT CURRENT	RIPPLE & NOISE	VOLTAGE ACCURACY	LINE REGULATION	LOAD REGULATION	% EFF. (Typ.)
ADP30M050	5V	0A	4A	50mVp-p	$\pm 2\%$	$\pm 1\%$	$\pm 6\%$	73%
ADP30M090	9V	0A	3A	90mVp-p	$\pm 2\%$	$\pm 1\%$	$\pm 4\%$	77%
ADP30M120	12V	0A	2.5A	120mVp-p	$\pm 2\%$	$\pm 1\%$	$\pm 3\%$	78%
ADP30M150	15V	0A	2A	150mVp-p	$\pm 2\%$	$\pm 1\%$	$\pm 3\%$	80%
ADP30M180	18V	0A	1.65A	180mVp-p	$\pm 2\%$	$\pm 1\%$	$\pm 2\%$	80%
ADP30M240	24V	0A	1.25A	240mVp-p	$\pm 2\%$	$\pm 1\%$	$\pm 2\%$	82%

## Specifications

### INPUT SPECIFICATIONS:

Voltage	90~264Vac
Frequency	47 to 63Hz
Inrush Current	50A max. @240Vac
Input Current	0.6A max.

### OUTPUT SPECIFICATIONS:

Holdup Time	16ms typ. @115Vac
Short Circuit Protection	Continuous(Auto Recovery)
Over Voltage Protection	TVS Component to Clamp
Temperature Coefficient	±0.05%/°C

### GENERAL SPECIFICATIONS:

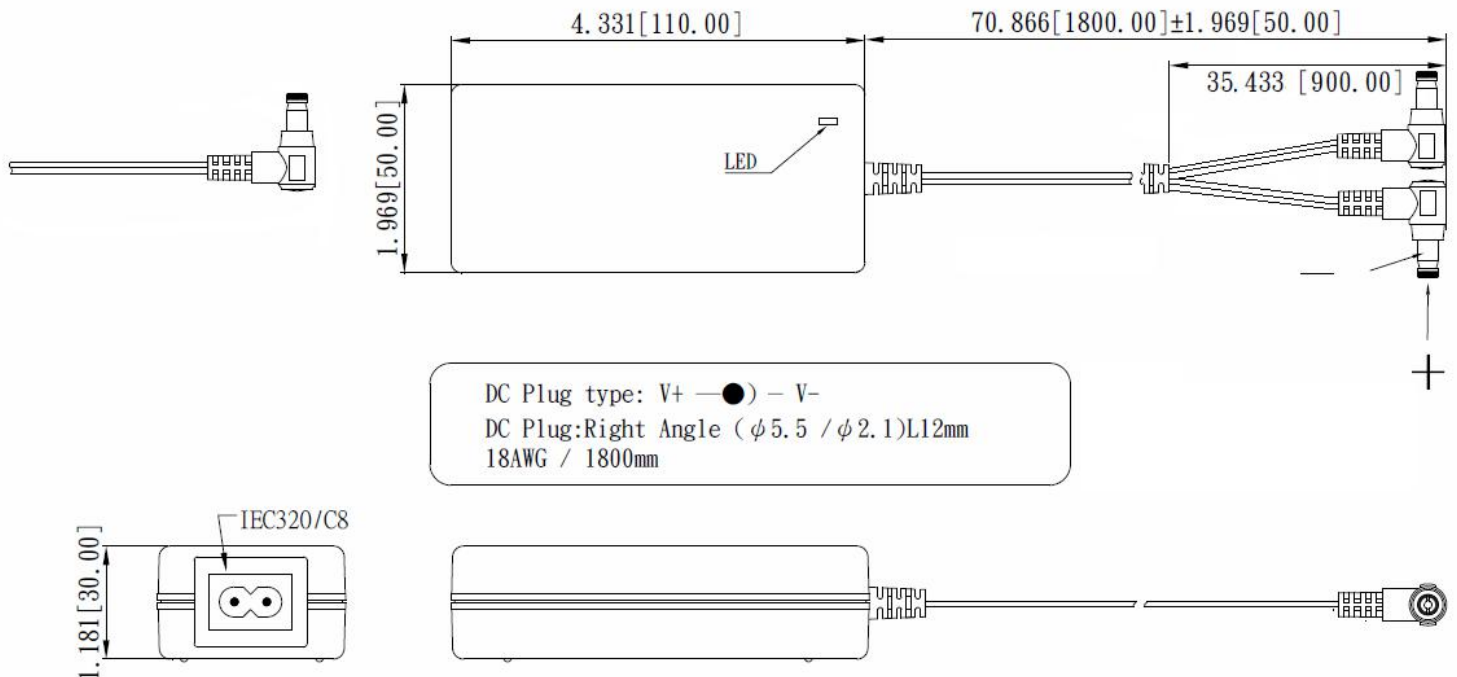
Isolation	Input to output = 5,656VDC
Operating Temperature	0 ~ 60°C(see derating curve)
Storage Temperature	-20~85°C
Humidity	93% RH max. Non condensing
Cooling	Natural Convection
Switching Frequency	70KHz Typical
MTBF	MIL-HDBK-217F, GB, 25°C/115VAC 300K hrs min.
Altitude	2000m
Dimensions	4.331x1.969x1.181Inches (110.00x50.00x30.00mm)
Weight	220g(0.49 Pounds)

### SAFETY AND EMC:

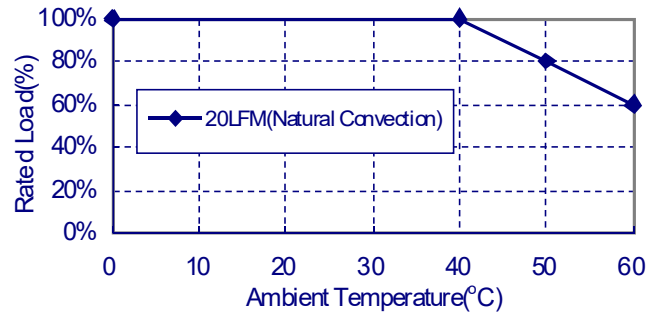
Emission and Immunity	EN55011, EN60601-1-2, EN61000-3-2 EN61000-3-3
Safety	IEC609501-1, IEC60601-1, EN60601-1, UL60601-1

### Mechanical Specification

All Dimensions are in inches(mm) Tolerance:Inches:X.XXX±0.02  
Millimeters:X.XX±0.5

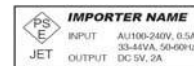


## ADP30M Series Derating Curve



### NOTE:

1. Voltage setpoint at 60% full load
2. Add a 0.1uF ceramic capacitor and a 10uF E.L. capacitor to output for Ripple & Noise measuring @20MHz BW.
3. Line regulation is measured from 100Vac to 240Vac with full load.
4. Load regulation is measured from 60% to full load and from 60% to 20% load (60% +/- 40% load)
5. "Various ADP Series adapters are PSE certified. PSE certification alone is not sufficient for importation into Japan. A valid PSE mark must contain the name of the importer as shown in the example below. If PSE mark is required, the name of the registered importer must be supplied to ALLCAN on order placement. Product labels will not contain PSE mark if importer name is not supplied. Consult factory or local representative for details"



Typical at 25°C, nominal line and 75% load, unless otherwise Specified